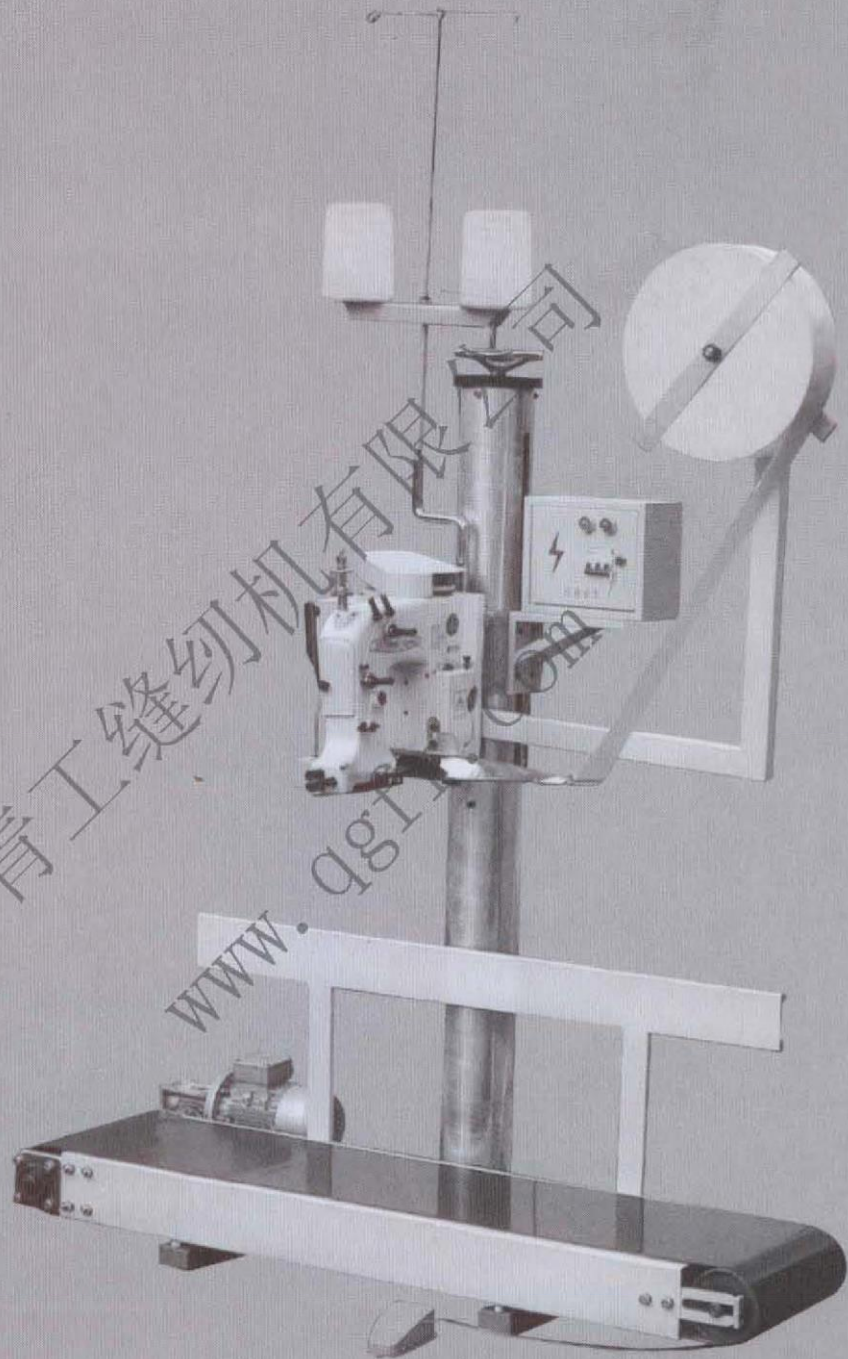




使用说明书

OPERATION INSTRUCTIONS

青工牌
QINGGONG BRAND
CONVEYOR BAG
TAILORING UNIT



河北青工缝纫机有限公司 Hebei Qingong Sewing Machine Co.,Ltd

中国缝制机械协会会员

The member of China Sewing Machine Association

缝包缝纫机专业生产厂家

The factory specialized in the production of bag tailoring and sewing machine

地址：河北省青县工业园区

电话：0317-4261078

传真：0317-4262868

网址：www.qgfr.com

一、机器的使用范围(USE SCOPE OF THE MACHINE)

1. 机器的主要特点及用途(Main features and use)

青工牌输送机是与缝包系列缝纫机共同使用的配套产品。具有外形美观、质量可靠、经济耐用、维修方便等特点。各种形式的机头悬挂在其立柱上，并与进给装置连在一起，使双方进给同步，可使用于粮食、糖业、石化、港口码头等企业的布袋、麻袋、塑料编织袋、纸袋的输送与封口包装。

Qinggong brand conveyor machine is an accessory product of the bag tailoring series. It looks nice and it has high quality. It's economical and durable and easy to mend. Different kinds of noses can be hung on the upright shaft. It is connected with the conveyor device. It can be widely used to transfer and seal the cloth, gunny, pastic, paper bags used in grain, sugar, enterprises, petrochemical works and ports.

2. 主要技术参数(Main technical data)

工作线速度(Transfer rate)	8m/分钟(8meters/minute)
封包速度(Seal rate)	200-400袋(200-400 bags)
封包范围(Seal scope)	10-50kg(10-50 kilograms)
输送机长度(Conveyor length)	1500-3000mm(1500-3000 millimeters)
输送袋宽度(Conveyor width)	320-400mm(320-400 millimeters)
电机功率(Electric power)	370-550w(370-550Watts)
总重量(Gross weight)	180-260kg(180-260 kilograms)

二、机器的使用方法和机构调整(USAGE AND ADJUSTMENT)

1. 使用方法(Usage)

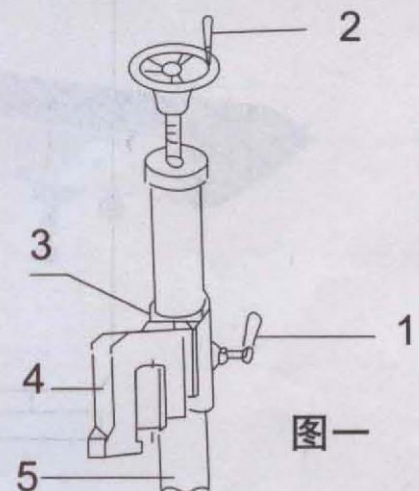
新购买或存放已久的机器，使用前必须进行常规检查并在注油部位注入润滑油，轻按启动开关，检查输送机运转方向和封包机运转方向是否一致后开机运转。正常运转后，检查输送机与机器是否同步。

Make a routine inspection before using it if it's new or not used for a long time. And fill oil into oil filler point. Press the switch to make sure the directions of conveyor and seal machine are the same. After normalcy make sure they go in the same speed.

2. 机头高度调查(Adjustment of the nose height)

松开图一①紧固罗丁，旋转升降手轮②使机座③带动机头④沿立柱⑤做上下运动，达到理想的工作高度。

Loose the screw, turn around the handwheel to make machine base and nose to go up and down until it's in a suitable height.

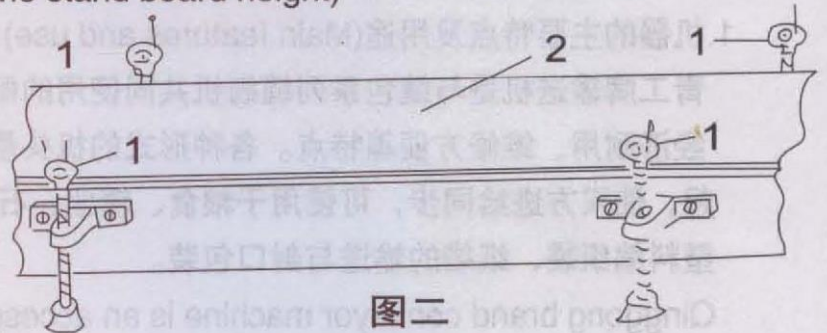


图一

3. 拖板高度调整(Adjustment of the stand board height)

旋转图二①四个手轮，带动拖板②做上下运动，达到理想的工作高度并把拖板上平面调平。

Turn four handwheels to adjust the stand board until a suitable height. Make it flat.

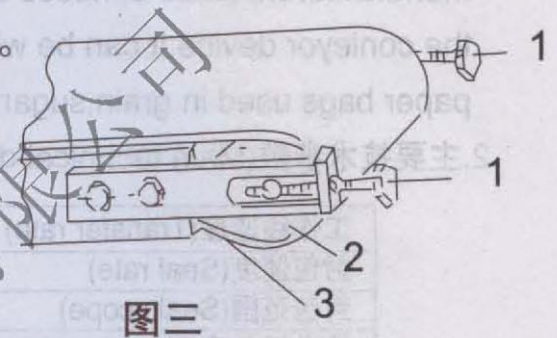


图二

4. 皮带的运转位置及松紧度调整

松、紧图三：调整罗栓①带动导辊②进行横向运动，使皮带③处于拖板中间位置，并达到合适的松紧程度。

Adjustment of the belt position and degree of tightness. Adjust the screw to make the belt in the middle of the stand board and in suitable degree of tightness.



图三

5. ①左右旋转图四调速手轮可达到理想的皮带运行的快慢速度。

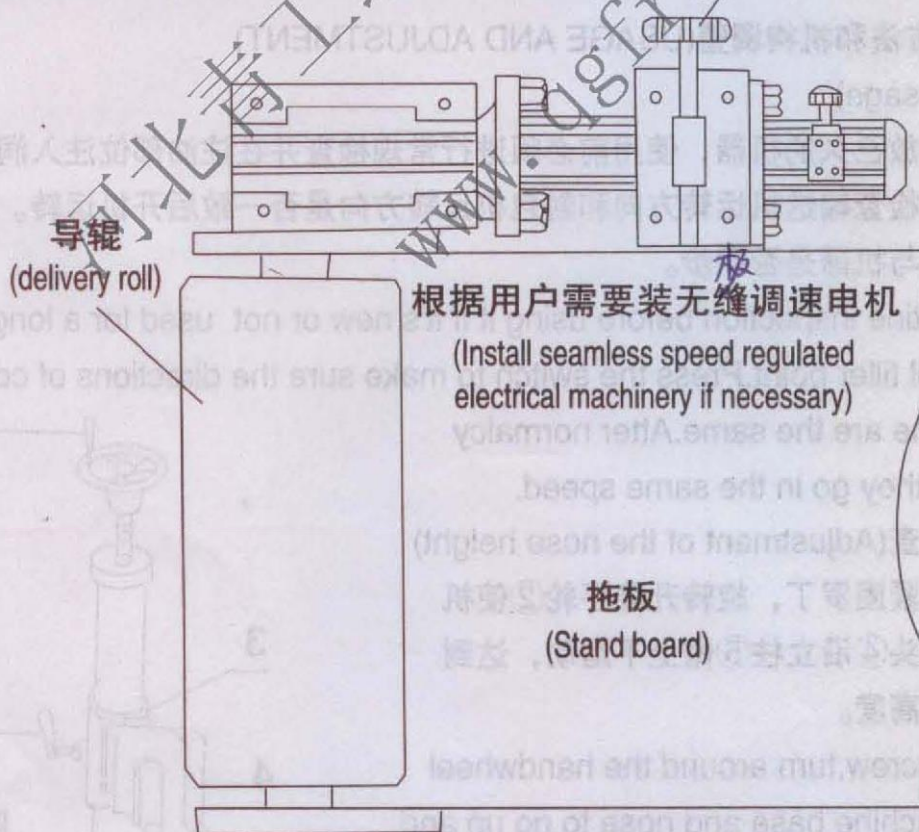
②试车前请加油。③停机时严禁旋转调速手轮。

①Turn the speed handwheel to make suitable speed.

②Remember to fill oil before using it.

③Not turn the speed handwheel when it stops.

调速手轮(speed hand wheel)



根据用户需要装无缝调速电机

(Install seamless speed regulated electrical machinery if necessary)

拖板
(Stand board)

导辊
(delivery roll)

图四